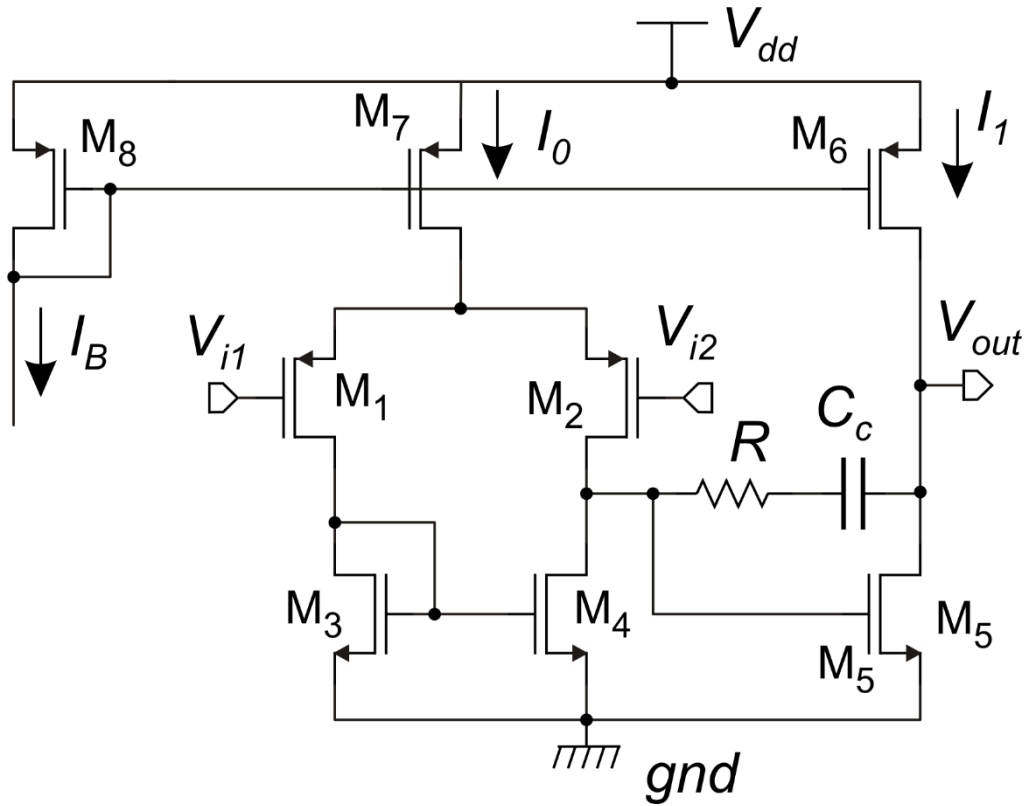


Opamp Design

Specifications

- An offset voltage (absolute value) smaller than 3 mV
- A GBW of 10 MHz for a load capacitance (C_L) up to 10 pF.
- A phase margin around 70° in unity gain configuration



Final component table

	W (μm)	L (μm)
M ₁ , M ₂	114	0.9
M ₃ , M ₄	10.5	3.6
M ₅	94	3.6
M ₆	450	3.6

M7	101	3.6
M8	101	3.6
R	532 Ω	
C _c	10 pF	
I _B	63 μA	