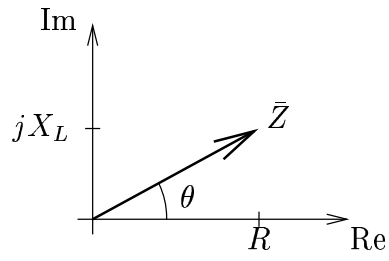
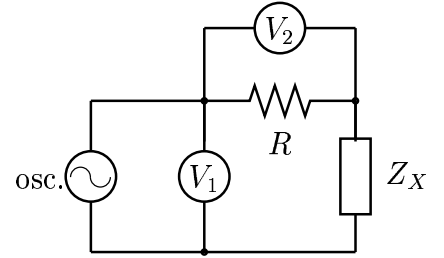


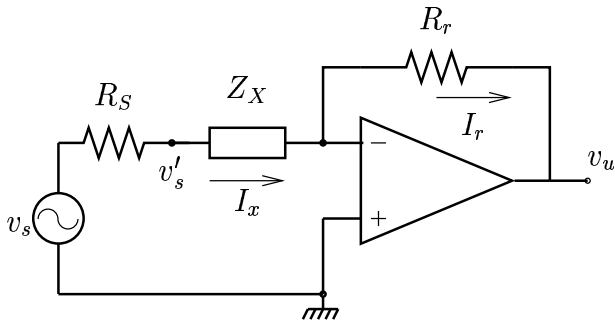
(1.1)



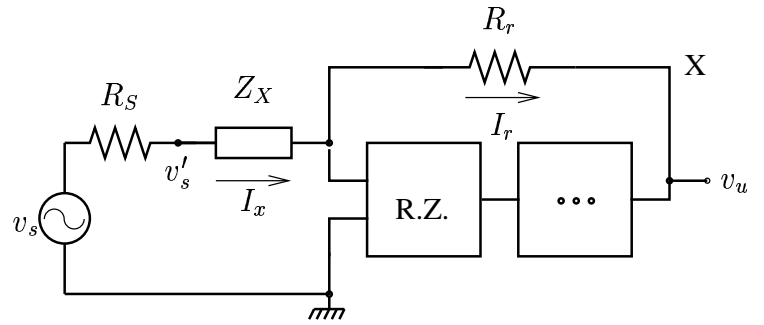
(1.2)



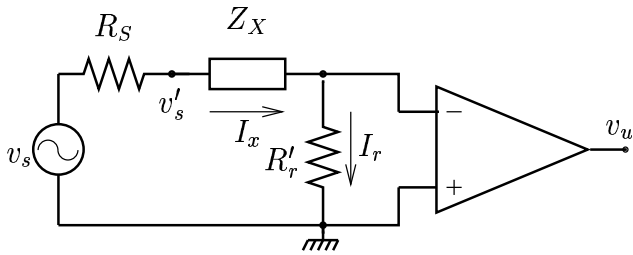
(1.3)



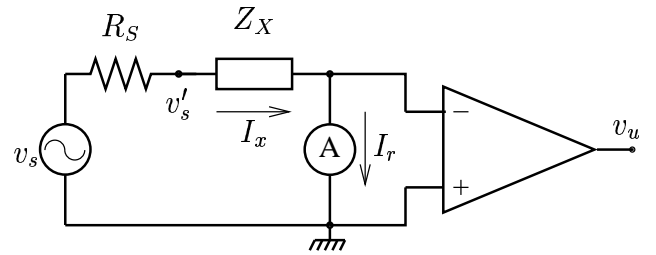
(1.4)



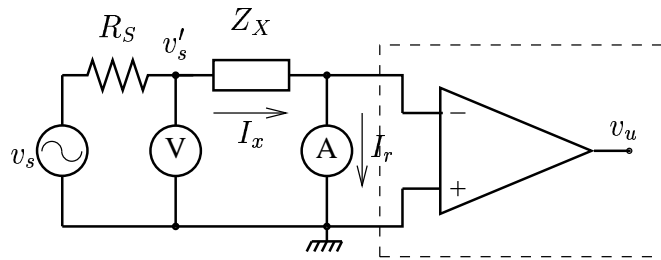
(1.5)



(1.6)

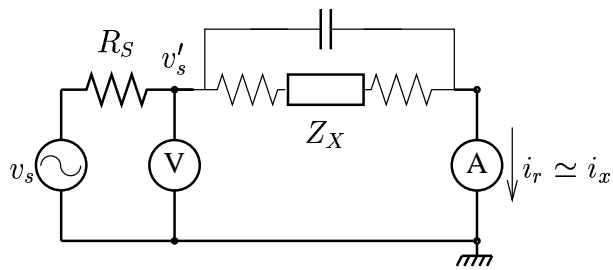


(1.7)

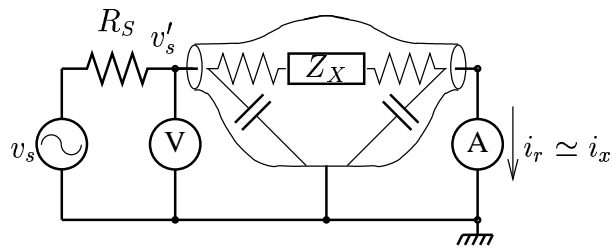


(1.8)

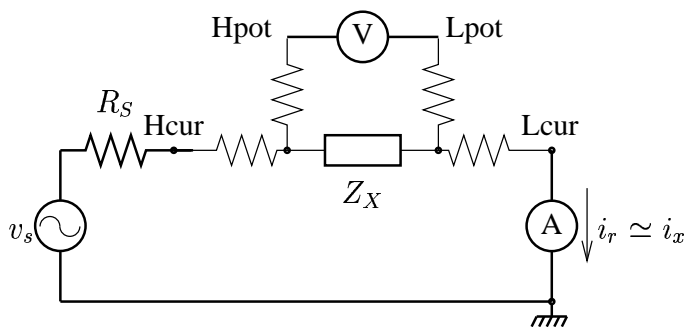
$$R'_r = \frac{R_r}{1 + A_{vol}}, \quad v_u = A_{vol} v_{in} = -A_{vol} R'_r i_r = -A_{vol} \frac{R_r}{1 + A_{vol}} i_r \simeq -R_r i_r. \quad (1)$$



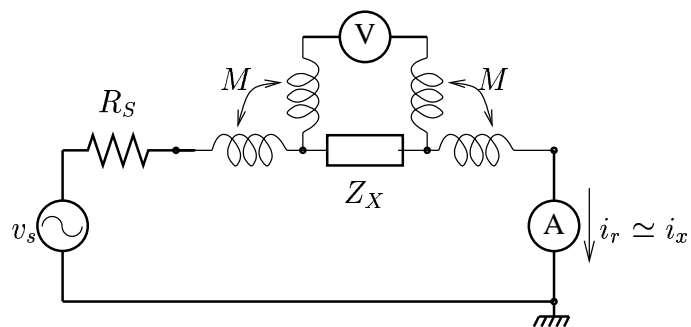
(2.1)



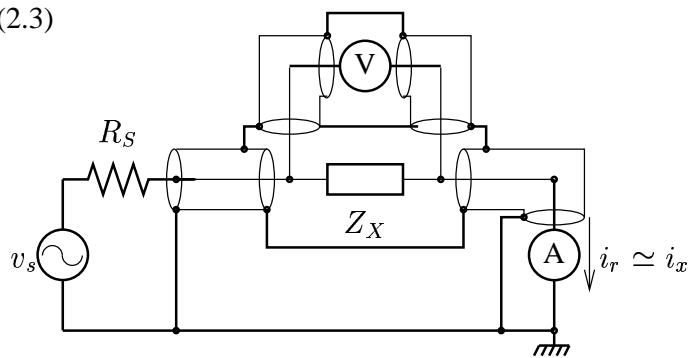
(2.2)



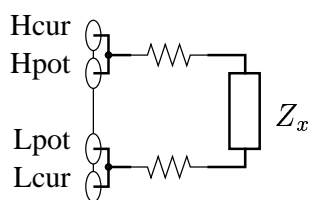
(2.3)



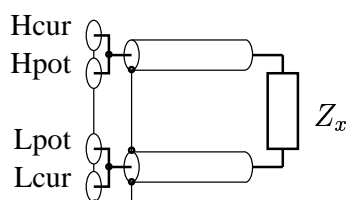
(2.4)



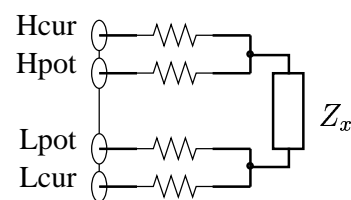
(2.5)



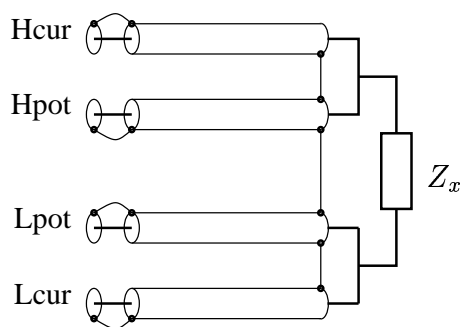
(2.6)



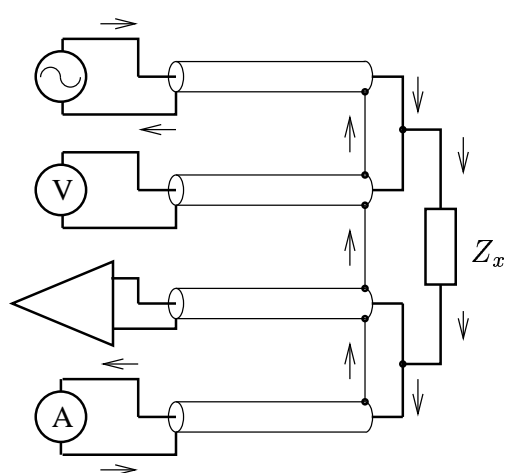
(2.7)



(2.8)



(2.9)



(2.10)